

# Data collection for RetroFIT+ globe valve adapters

In the case of third-party valves for which no standard RetroFIT+ solutions from Belimo are available, a customer-specific solution can be implemented, starting with batch sizes of 1 unit. Please email the filled-out data collection sheet to your contact person at Belimo.

Last name /  
First name \_\_\_\_\_

Company \_\_\_\_\_

Telephone \_\_\_\_\_

Street \_\_\_\_\_

Email \_\_\_\_\_

Postal code / City \_\_\_\_\_

Date \_\_\_\_\_

Signature \_\_\_\_\_

## Data collection for globe valves

**Please enter only one valve type per collection sheet!**

Select the matching valve type based on the pictures below and tick it.

Please enter the dimensions in mm in the right-hand column.

Fig. 1

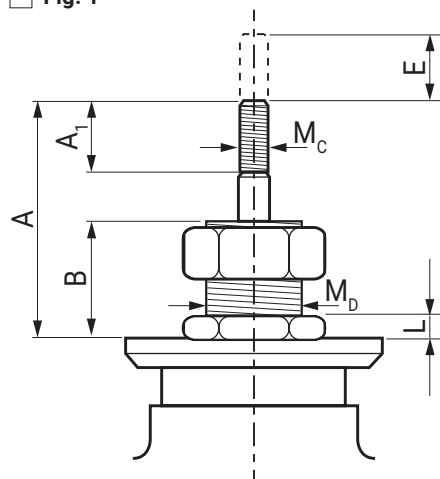


Fig. 2

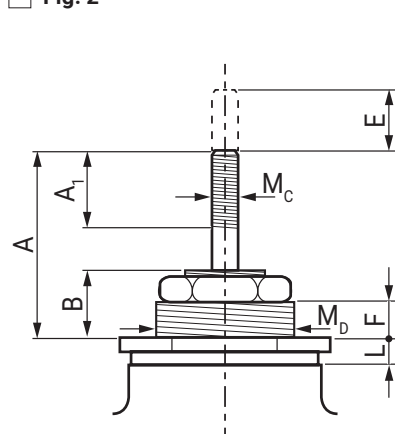


Fig. 3

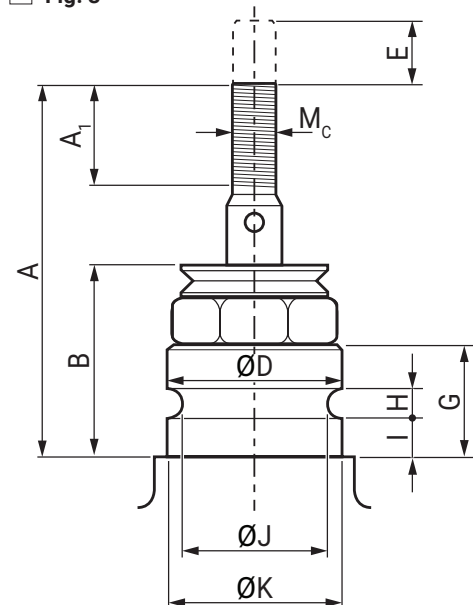
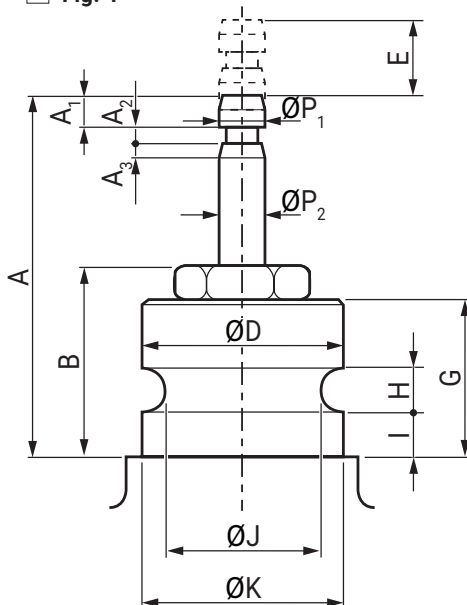


Fig. 4



### Dimensions in mm

A \_\_\_\_\_

A<sub>1</sub> \_\_\_\_\_

A<sub>2</sub> \_\_\_\_\_

A<sub>3</sub> \_\_\_\_\_

B \_\_\_\_\_

M<sub>D</sub> \_\_\_\_\_

E \_\_\_\_\_

M<sub>C</sub> \_\_\_\_\_

Ø P<sub>1</sub> \_\_\_\_\_

Ø P<sub>2</sub> \_\_\_\_\_

Ø D \_\_\_\_\_

Ø K \_\_\_\_\_

I \_\_\_\_\_

H \_\_\_\_\_

G \_\_\_\_\_

### Legend

A Stem length

M<sub>C</sub> Stem thread

M<sub>D</sub> Valve neck thread

Ø P Stem diameter

E Stroke

